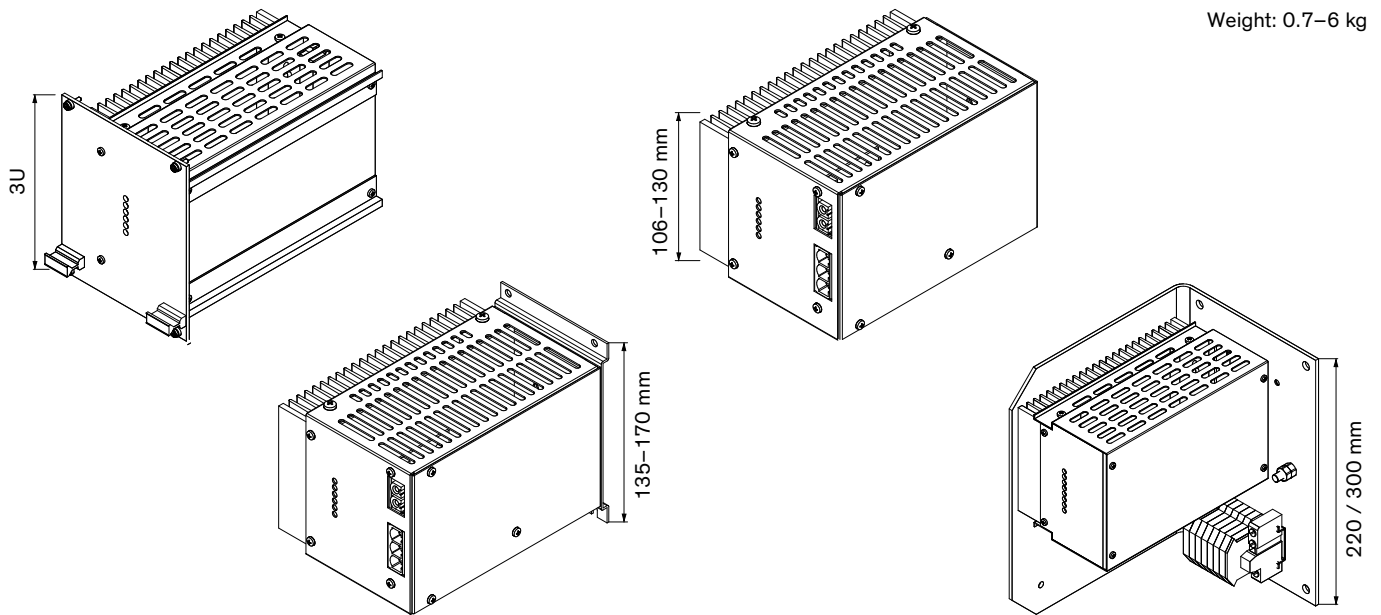


DC/DC Converter and AC/DC Power Supplies

3U low power
100W up to 800W, natural convection



100W up to 800W, natural convection

- **Input**

DC voltage: 10–380VDC

AC voltage: 115 / 230 VAC single phase or 3× 200VAC three phase

AC Input frequency: 47–400Hz with PFC for 47–65 Hz

- **Output**

5, 9, 12, 15, 24, 28, 48, 60, 110 or 220 VDC

Current up to 100A

Overload protection (current limited to 105–110% of nominal)

Overvoltage protection (with automatic restart)

- **Operating Temperature**

-20°C to +75°C (-40°C optional), natural convection

Load derating with 2.5%/°C above +55°C

- **Safety**

According to EN 60950-1

- **MTBF**

100'000–140'000 hours @ +40°C according MIL - HDBK - 217E

Input-/Output Voltage

Power W	Series	Input Voltage [VDC]						Input Voltage [VAC]					Output Voltage [VDC]										
		10-16	18-36	36-75	45-90	80-160	160-320	320-380	100-240 +/-10%	115 +/-20%	230 +/-15%/-20%	115 or 230	3 x 200 +/-15% /-20%	5	9	12	15	24	28	48	60	110	220
100	TSC2000H TSC2000P		•	•	•	•	•	†					•	•	•	•	•	•	•	•	•		
180	TSC5000	•											•*	•	•	•	•	•	•	•	•	•	•
200	TSC5000		•										•*	•	•	•	•	•	•	•	•	•	•
200	TSC0600	•											•	•	•	•	•	•	•	•	•	•	•
250	TSC5000			•	•	•	•		•	•	•	•	•*	•	•	•	•	•	•	•	•	•	•
300	TSC0600		•										•	•	•	•	•	•	•	•	•	•	•
300	TSC2500		•										•*	•	•	•	•	•	•	•	•	•	•
300	TSC6000	•											•	•	•	•	•	•	•	•	•	•	•
350	TSC0600			•	•	•	•		•	•	•	•	•	•	•	•	•	•	•	•	•	•	•
400	TSC2500			•	•	•	•		•	•	•	•	•*	•	•	•	•	•	•	•	•	•	•
450	TSC6000		•										•	•	•	•	•	•	•	•	•	•	•
500	TSC6000			•	•	•	•		•	•	•	•	•	•	•	•	•	•	•	•	•	•	•
650	TSC2600		•										•	•	•	•	•	•	•	•	•	•	•
800	TSC2600			•	•	•	•		•	•	•	•	•	•	•	•	•	•	•	•	•	•	•

Form Factor

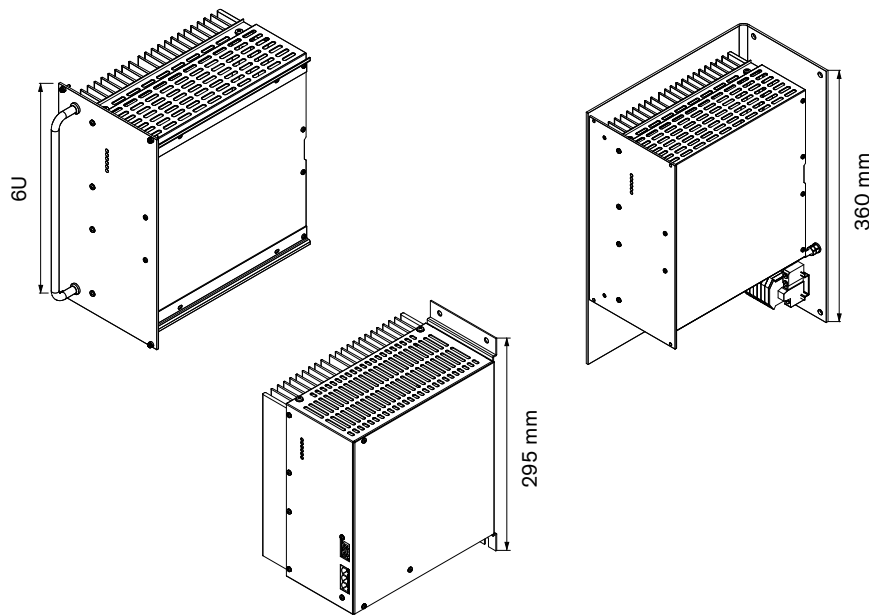
Series	Eurocassette	Wall Mount	Chassis Mount	DIN rail Mount
TSC0600	3U/42TE/167mm	H220/W220/D167mm	H170/W181/D171mm	H130/W181/D175mm
TSC2000H TSC2000P	3U/10TE/165mm		H138/W76/D195mm	H109/W76/D194mm
TSC2500	3U/21TE/226mm *	H300/W140/D260mm	H135/W118/D233mm	
TSC2600	3U/42TE/226mm	H220/W220/D229mm	H170/W181/D260mm	
TSC5000	3U/21TE/167mm *	H220/W140/D180mm	H135/W125/D205mm	H106/W125/D200mm
TSC0600	3U/42TE/167mm	H220/W220/D167mm	H170/W181/D171mm	H130/W181/D175mm

* 24TE ** PFC *** H450/W320mm ≥ 150A input or output

DC/DC Converter and AC/DC Power Supplies

6U low power

120W up to 5kW, natural convection



Weight: 1.7–22 kg

120W up to 5000W, natural convection

- **Input**
 - DC voltage: 10–800VDC
 - AC voltage: 115 / 230 VAC single phase or three phase
 - AC Input frequency: 47–400Hz with PFC for 47–65 Hz
- **Output**
 - 5, 9, 12, 15, 24, 28, 48, 60, 110, 220, or 400 VDC
 - Current up to 260A
 - Overload protection (current limited to 105–110% of nominal)
 - Overvoltage protection (with automatic restart)
- **Operating Temperature**
 - 20°C to +75°C (-40°C optional)
 - Load derating with 2.5%/°C above +55°C
- **Safety**
 - According to EN 60950-1
- **MTBF**
 - 100'000–140'000 hours @ +40°C according MIL - HDBK - 217E

Input-/Output Voltage

Power W	Series	Input Voltage [VDC]											Input Voltage [VAC]					Output Voltage [VDC]																			
		10-16	18-32	18-36	20-32	36-75	40-64	45-90	50-80	80-160	160-320	320-380	320-640	450-800	115 (+/-20%)	230 (+15%/-20%)	115 or 230	3 x 200 (+15%/-20%)	3 x 400 (+15%/-20%)	3 x 480 (+10%/-15%)	5	9	12	15	24	28	48	60	110	200	220	400					
120	TSC1200	•																			•	•	•	•	•	•	•	•	•	•	•	•	•				
150	TSC1200			•																		•	•	•	•	•	•	•	•	•	•	•	•	•			
200	TSC1200					•		•		•	•	•									•	•	•	•	•	•	•	•	•	•	•	•	•	•			
250	TSC1300	•																																			
300	TSC1300			•																																	
400	TSC1300					•		•		•	•	•									•	•	•	•	•	•	•	•	•	•	•	•	•	•	•		
400	TSC1500	•																																			
500	TSC1500			•																																	
600	TSC1500					•		•		•	•	•									•	•	•	•	•	•	•	•	•	•	•	•	•	•	•	•	
700	TSC3500			•																																	
850	TSC3500					•		•		•	•	•									•	•	•	•	•	•	•	•	•	•	•	•	•	•	•	•	
900	TSC4500	•																																			
1000	TSC3700			•																																	
1200	TSC4500					•																															
1200	TSC4700	•																																			
1250	TSC3700					•		•		•	•	•									•	•	•	•	•	•	•	•	•	•	•	•	•	•	•	•	
1400	TSC3600			•																																	
1600	TSC4500							•		•	•	•									•	•	•	•	•	•	•	•	•	•	•	•	•	•	•	•	
1700	TSC3600					•		•		•	•	•									•	•	•	•	•	•	•	•	•	•	•	•	•	•	•	•	
1700	TSC4700					•																															
2000	TSC3800			•																																	
2500	TSC4700							•		•	•	•									•	•	•	•	•	•	•	•	•	•	•	•	•	•	•	•	
2500	TSC3800					•		•		•	•	•									•	•	•	•	•	•	•	•	•	•	•	•	•	•	•	•	
2500	TSC4800	•																																			
3500	TSC4800					•				•	•	•																									
4000	TSC4800																				•	•	•	•	•	•	•	•	•	•	•	•	•	•	•	•	
5000	TSC4800							•		•	•	•									•	•	•	•	•	•	•	•	•	•	•	•	•	•	•	•	

Form Factor

Series	Eurocassette	Wall Mount	Chassis Mount
TSC1200	6U/10TE/164mm	H360/W140/D260mm	H295/W65/D173mm
TSC1300	6U/14TE/164mm	H360/W140/D260mm	H295/W88/D200mm
TSC1500	6U/21TE/167mm *	H360/W140/D260mm	H295/W125/D200mm
TSC3500	6U/21TE/226mm *	H360/W140/D260mm	H295/W125/D260mm
TSC3600	6U/42TE/226mm	H360/W220/D229mm	
TSC3700	6U/28TE/226mm	H360/W140/D260mm	H295/W155/D262mm
TSC3800	6U/56TE/226mm	H360/W280/D232mm ***	
TSC4500	6U/21TE/306mm	H360/W140/D340mm	H295/W125/D340mm
TSC4700	6U/28TE/306mm	H360/W140/D345mm	H295/W155/D340mm
TSC4800	6U/56TE/306mm	H360/W280/D309mm ***	

* 24TE ** PFC *** H450/W320mm ≥ 150A input or output

Options (add the Suffix):

Input	
-I	Inrush current limiting by thermistor up to 30A
-SD	reverse polarity protection by series diode
-AD	reverse polarity protection by antiparallel diode
-PR	Input voltage (power ok) with relay contact

Output	
-DD	Decoupling diode
-CS	Active current sharing
-H1	Inhibit by external closing contact (ref. to input)
-H2	Inhibit by external voltage signal (ref. to output)
-H3	Inhibit by external closing contact (ref. to output)
-DR	Output voltage (DC ok) with relay contact

Programming of	
-EU1	output voltage (0–100%) by external signal 0–10V
-EU2	output voltage (0–100%) by external signal 4–20mA
-EU3	output voltage (0–100%) by 270° potentiometer
-EU4	output voltage (0–100%) by 10 turn potentiometer
-EI1	output current (0–100%) by external signal 0–10V
-EI2	output current (0–100%) by external signal 4–20mA
-EI3	output current (0–100%) by 270° potentiometer
-EI4	output current (0–100%) by 10 turn potentiometer
Monitoring of	
-MU1	output voltage (0–100%) by external signal 0–10V
-MU2	output voltage (0–100%) by external signal 4–20mA
-MI1	output current (0–100%) by external signal 0–10V
-MI2	output current (0–100%) by external signal 4–20mA
Interface of	
-xyx	CAN Bus, CAN open, RS 232, RS 485, Ethernet, Modbus → please request

Form Factor / Mechanical	
no suffix	Eurocassette
-W	Wall Mount
-CHA	Chassis Mount
-DIN	DIN Rail Mount
-C	extended temperature range to -40°C
-T	Tropical protection
-MS	increased mechanical strength

Conversion		
Width	1 TE	5.08mm
	1 TE	0.2"
	1"	25.4mm
Height	1 U	44.45mm
	1 U	1.75"
Weight	1kg	2.2lbs
	1lbs	0.454kg

and others...

Contact Details

Company
Address
City / Post Code (zip) / State
Country
Company Website
Project Manager
Project Manager E-Mail

Project Details

Project Name
Application
Prototype (QTY/Date)
Preseries (QTY/Date)
Series (QTY/Date)
EAU (Estimated Annual Usage)
Customer Target Price & QTY

Technical Specifications

Please Mark	DC/DC Converter	AC/DC Power Supply
Series Name		
Power		
Input Voltage		
Output Voltage		
Form Factor		

Safety

Please Mark	Mandatory Needed	According to is Sufficiently
List of the Needed Standards		

Options (if needed)**Comments and Other Issues**